

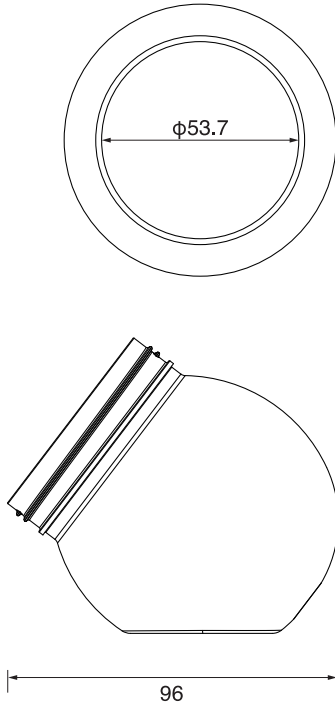
Bi



Bi-200
CPTI-64φ Cap

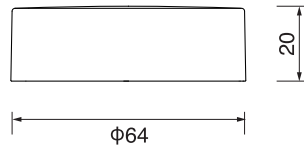
- Cute shaped PET blown bottle with compatible cap.
- Off-centre jar opening.
- Very attractive shape.
- Cap can be decorated.

Bi-200 Specification



Bi-200

Material / PET
Molding / ISBM
Weight / 18.7g



CPTI-64φ Cap

Material / PP
Molding / I
Weight / 12.5g