

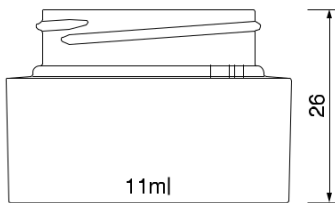
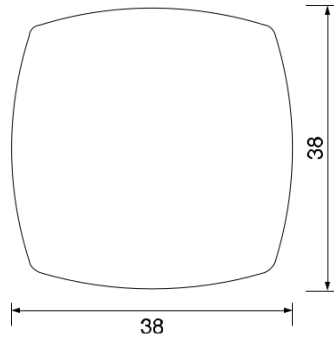
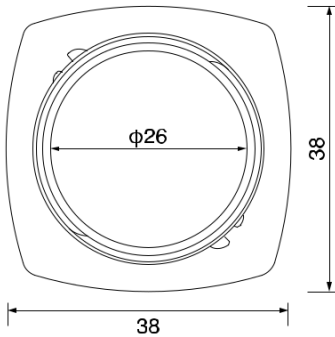
BCPI



BCPI-10
BCPI-10 Cap

- Excellent for small size cream sample.
- "Easy-to-operate" square shape.
- Airtightness preserved by induction wads.
- On the go pack.

BCPI-10 Specification



BCPI-10

Material / PP
Molding / I
Weight / 5.6g

BCPI-10 Cap

Material / PP
Molding / I
Weight / 3.9g