

FOLD

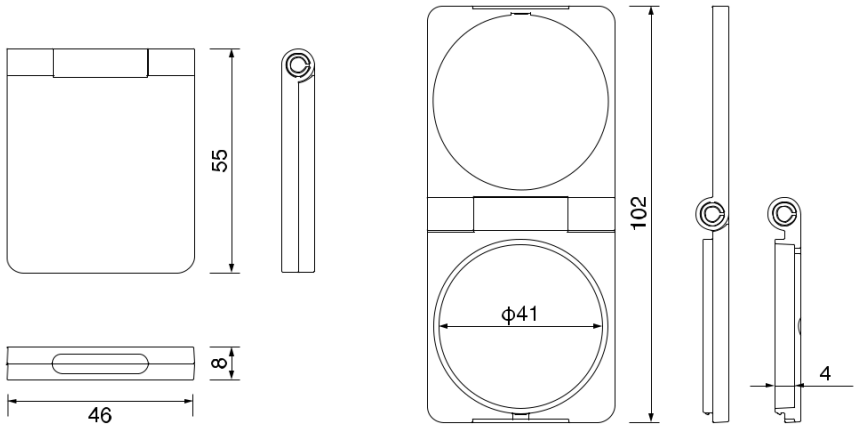


Fold

- High transparency PET compacty.
- Alternative filling options: direct filling or pan filling.
(Direct filling is only available to solid perfume, balm etc)
- Versatile decoration possibility: painting, silk screen, hot stamping, pad printing, metallization etc.
- Pin can also be decorated in the color you desire.

FOLD

Specification



FOLD

Material / PET-G

Molding / I

Weight / 16.1g